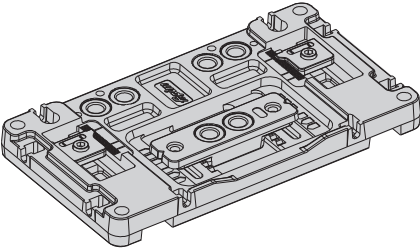
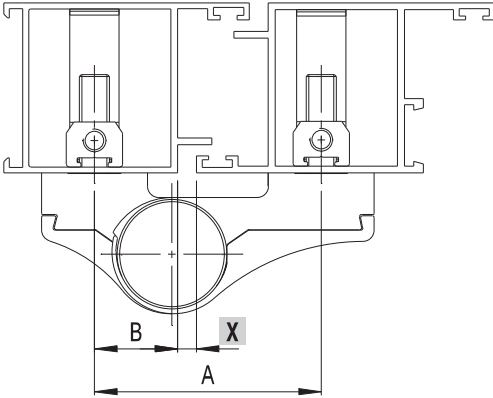
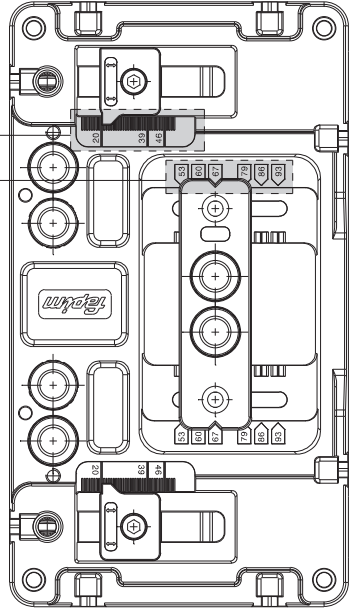


UNIX

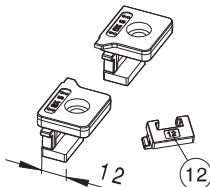
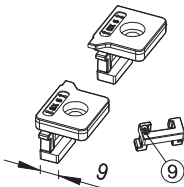
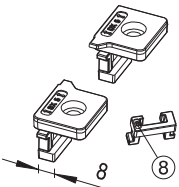
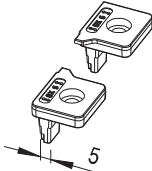
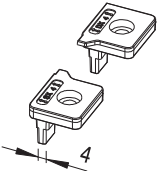
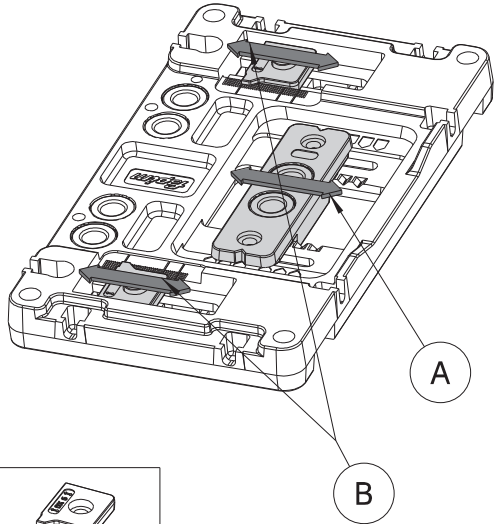
LOIRA +

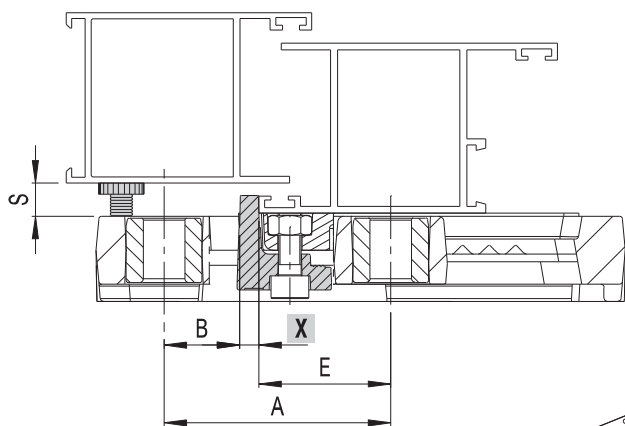
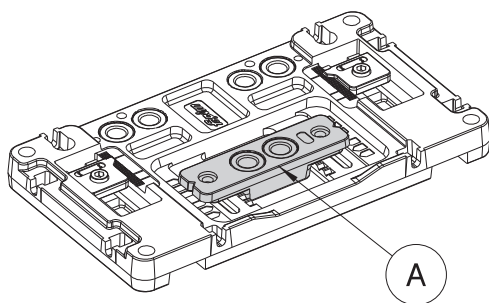
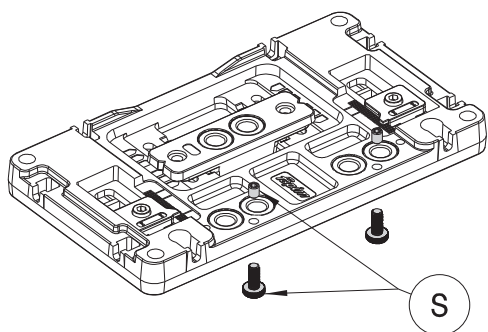
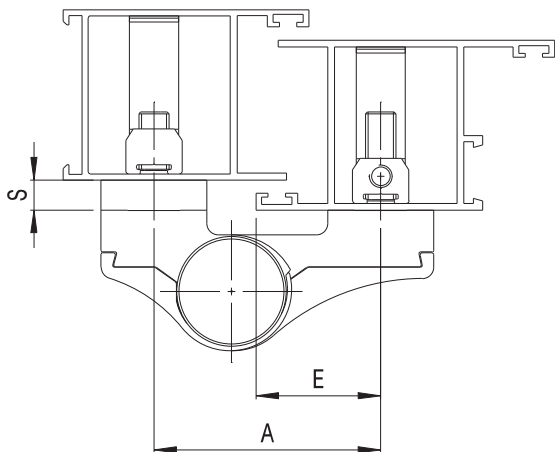


A 53-60-67-79-86-93
B 13 - 50

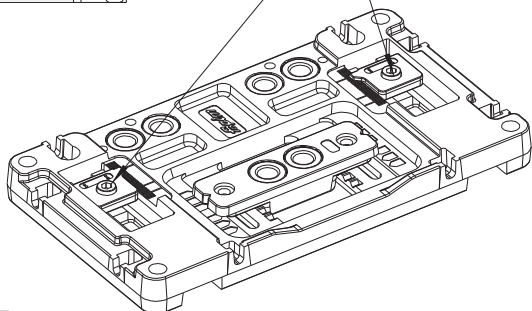


X 4-5-8-9-12





$$B = A - E - X$$



X 4-5-8-9-12