

Dimensioni e portate
Dimensions and weights

kg	*140kg - 90°																110kg - 110°															
2700	47	37	41	33	27	30	23	26	20	23	18	21	16	19	15	17	14	16	13	15	12	14	11	13	10	12	10					
2600	49	38	43	34	28	31	24	27	21	24	19	22	17	20	15	18	14	17	13	15	12	14	11	13	11	13	10					
2500	50	40	45	35	29	32	25	28	22	25	20	22	18	20	16	19	15	17	14	16	13	15	12	14	11	13	10					
2400	50	43	47	37	31	33	26	29	23	26	20	23	18	21	17	19	15	18	14	17	13	16	12	15	11	14	11					
2300	50	45	49	38	31	32	25	27	20	24	17	21	16	19	15	17	14	16	13	15	12	14	11	13	10	12	10					
2200	50	48	50	40	32	33	26	29	22	25	20	23	18	21	17	20	15	18	14	17	13	16	13	15	12	14	11					
2100	50	50	50	42	34	35	27	30	23	26	20	23	18	21	17	20	15	18	14	17	13	16	13	15	12	14	11					
2000	50	50	50	44	36	37	30	33	26	30	23	26	21	24	19	22	17	20	15	18	14	17	13	16	13	15	12					
1900	50	50	50	46	38	39	32	35	28	31	24	28	22	25	20	23	18	21	17	20	15	18	14	17	13	16	12					
1800	50	50	50	48	40	41	33	36	29	31	24	28	22	25	20	24	19	22	17	20	15	18	14	17	13	16	12					
1700	50	50	50	50	43	47	37	41	32	37	29	33	26	30	24	27	22	25	20	21	17	20	16	19	15	17	14					
1600	50	50	50	50	46	50	39	44	34	39	31	35	28	32	25	29	23	24	19	23	18	21	17	20	15	15	12					
1500	50	50	50	50	49	50	42	47	37	41	33	37	29	34	27	31	24	26	20	24	19	22	18	14	13	10	10					
1400	50	50	50	50	50	50	45	50	39	44	35	40	31	36	29	30	24	28	22	26	20	16	15	12	14	11	11					
1300	50	50	50	50	50	50	48	50	42	48	38	43	34	35	28	30	23	23	18	17	14	16	13	10	8	8	8					
1200	50	50	50	50	50	50	50	46	50	41	42	33	38	30	35	28	27	17	20	16	19	15	12	9	5	4	4					
1100	50	50	50	50	50	50	50	50	50	40	46	42	33	32	20	23	18	22	17	14	11	6	6	6	6	6	6					
1000	50	50	50	50	50	50	50	50	50	44	50	40	38	24	28	22	26	20	16	13	7	7	X	X	X	X	X					
900	50	50	50	50	50	50	50	50	50	49	37	29	34	27	11	16	10	8	X	X	X	X	X	X	X	X	X					
800	50	50	50	50	50	50	50	50	50	47	37	42	33	25	20	11	11	X	X	X	X	X	X	X	X	X	X					
700	50	50	50	50	50	50	50	50	50	47	50	42	16	13	X	X	X	X	X	X	X	X	X	X	X	X	X					
600	50	50	50	50	50	50	50	50	50	47	37	19	19	X	X	X	X	X	X	X	X	X	X	X	X	X	X					
550	50	50	50	50	50	50	50	50	50	X	X	X	X	X	X	X	X	X	X	X	X	X	X	X	X	X	X					
H	L	440	500	600	700	800	900	1000	1100	1200	1300	1400	1500	1600	1700																	

IT Anta eseguibile con spessore vetro Max 20 mm
Sash size executable with Max glass thickness 20 mm
EN Vantail Exécutable avec Max verre épaisseur 20 mm
ES Hoja ejecutable con Max vidrio espesor 20 mm

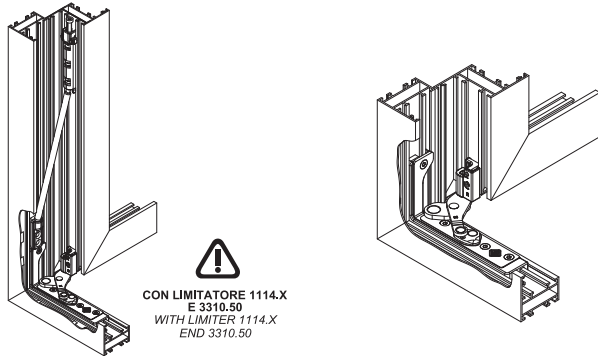
N.D. Dimensione non eseguibile
Not feasible
Non réalisable
No ejecutable

Con 3321G.2 H anta min. 700mm
With 3321G.2 H sash min. 700mm

Con 3313.21 H anta min.1050mm
With 3313.21 H sash min.1050mm

Max 140Kg - 90°

Max 110Kg - 110°



CON LIMITATORE 1114.X
E 3310.50
WITH LIMITER 1114.X
END 3310.50

Kit anta ribalta a scomparsa
Hidden kit for tilt and turn

Per sistemi Erre 40
For Erre 40 system

Riferimento nodo sistema ERRE
ERRE system section riferiment

Kit base / Base kit

Braccio corto
Short arm

Braccio lungo
Long arm

Cerniera inferiore
Bottom hinge

3321G.1, 3321G.2, 3313.20S, 3313.20D, 3313.21S, 3313.21D, 3313S, 3313D

Lavorazioni
Machining

LAVORAZIONI ASTINE
RODS MACHINING

6015.3 6036.3	6011 - 6011.10 6018 - 6015 6032.10 - 6036	6011 6011.10 6032.10	3070 3070.2 3072
Kit base / Base kit - 3321G.2		6018.21 - 6015.21 6010.20 - 6010.21 6031.21	6010.20 6010.21 6031.21

Maniglie
Handles

IT Cromonese **EN** Cromone bolt **FR** Crémone **ES** Cremona

IT Martellina **EN** Handle **FR** Bequille à poignée **ES** Maneta

Kit base / Base kit - 3321G.1

6018	6015 - 6015.3 6011 - 6011.10	6036 - 6032.10 6036.3
------	---------------------------------	--------------------------

Kit base / Base kit - 3321G.2

6018.21	6015.21 - 6010.20 6010.21	6031.21
---------	------------------------------	---------

Art. complementari
Articlos for sash tanked

Articlos per anta affiancata
Articlos for sash tanked

3310.50, 3321.30, 3421.31, 3421.32, 3421.33, 3421.35, 3421.36, 3421.37, 3421.38, 3421.39, 3421.40, 3421.41, 3421.42, 3421.43, 3421.44, 3421.45, 3421.46, 3421.47, 3421.48, 3421.49, 3421.50, 3421.51, 3421.52, 3421.53, 3421.54, 3421.55, 3421.56, 3421.57, 3421.58, 3421.59, 3421.60, 3421.61, 3421.62, 3421.63, 3421.64, 3421.65, 3421.66, 3421.67, 3421.68, 3421.69, 3421.70, 3421.71, 3421.72, 3421.73, 3421.74, 3421.75, 3421.76, 3421.77, 3421.78, 3421.79, 3421.80, 3421.81, 3421.82, 3421.83, 3421.84, 3421.85, 3421.86, 3421.87, 3421.88, 3421.89, 3421.90, 3421.91, 3421.92, 3421.93, 3421.94, 3421.95, 3421.96, 3421.97, 3421.98, 3421.99, 3421.100

Articlos per anta affiancata
Articlos for sash tanked

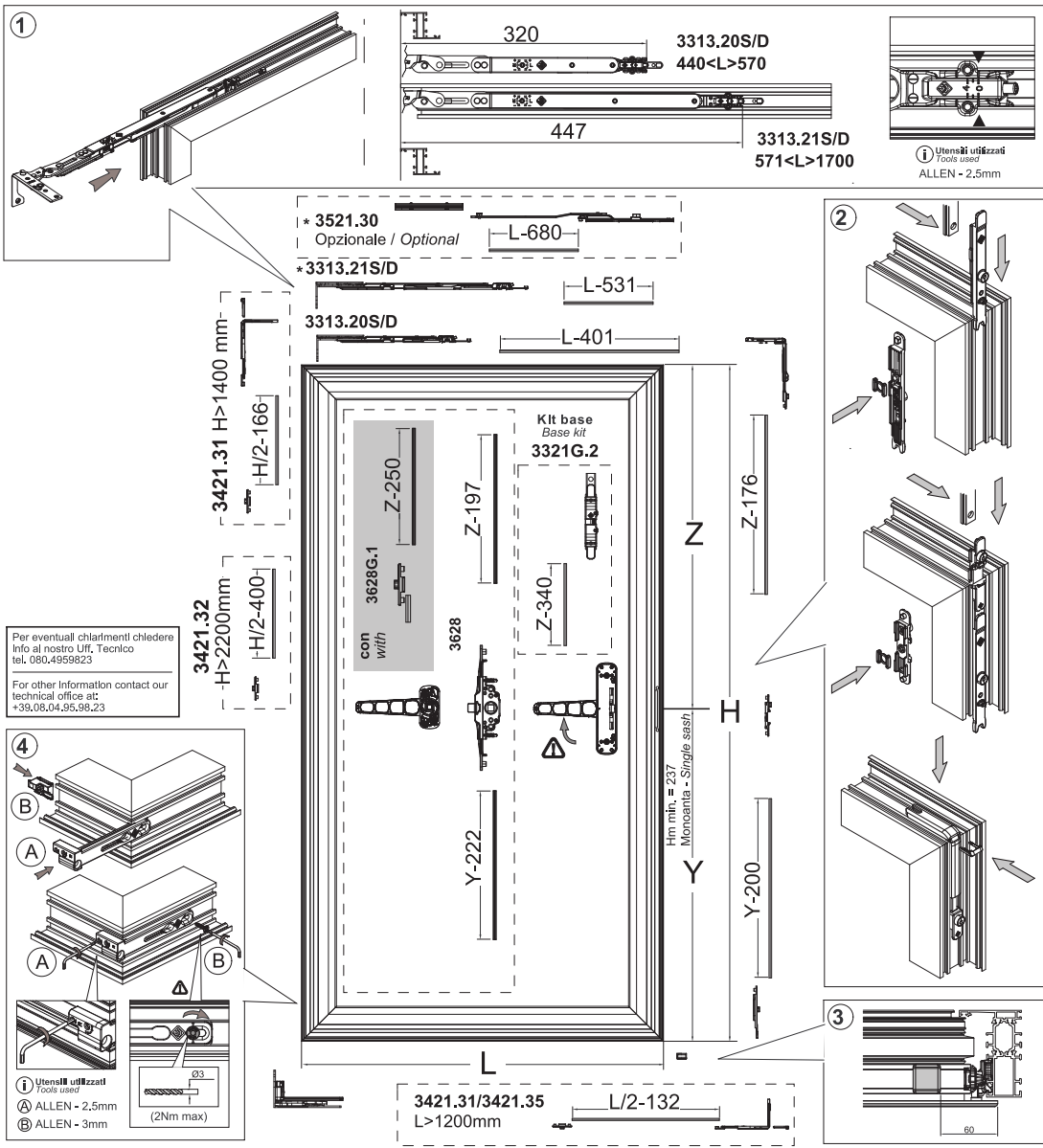
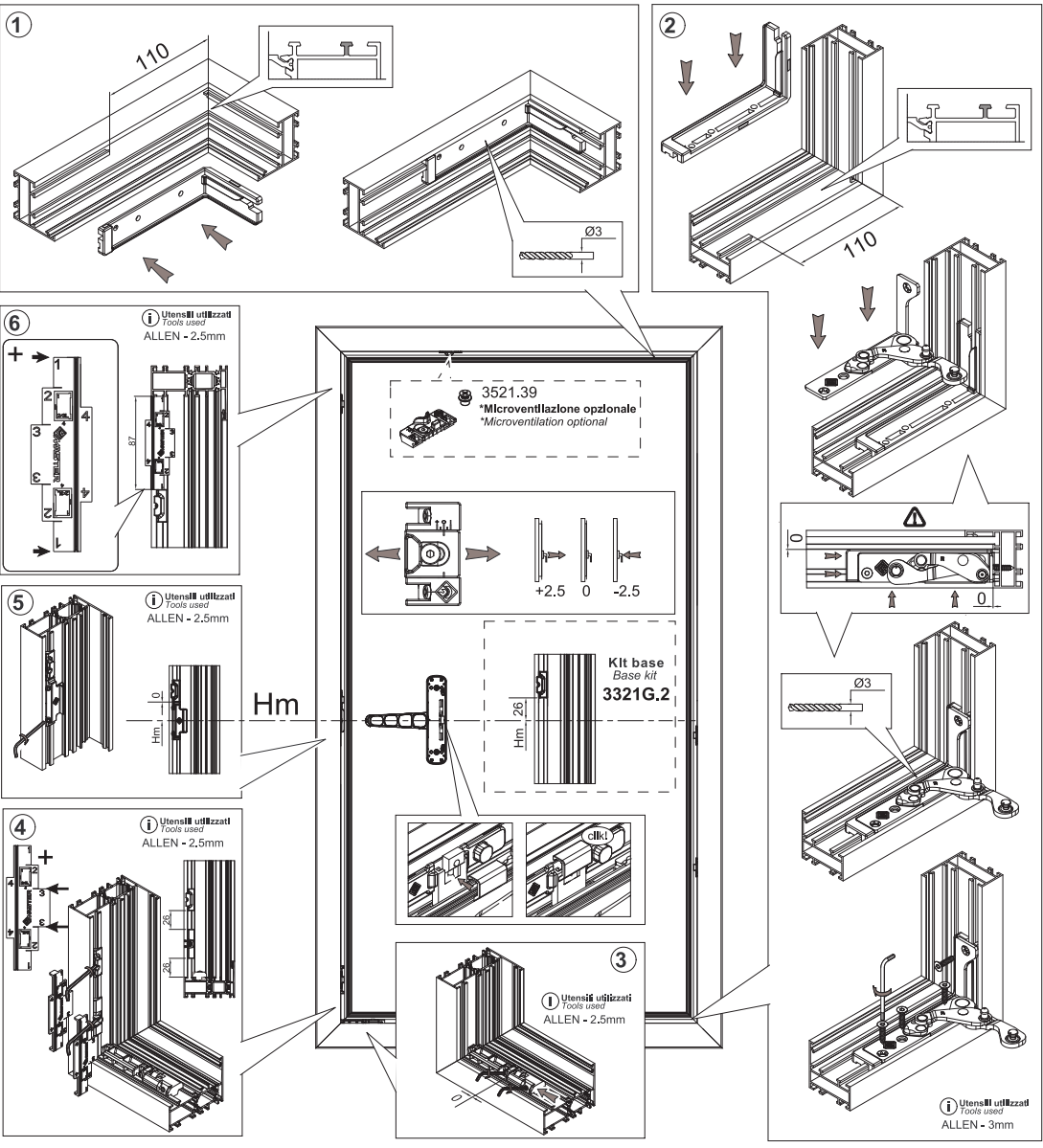
Art. complementari
Articlos for sash tanked

N.D. Controllare tabella diagramma di carico
Check the load capacity chart see

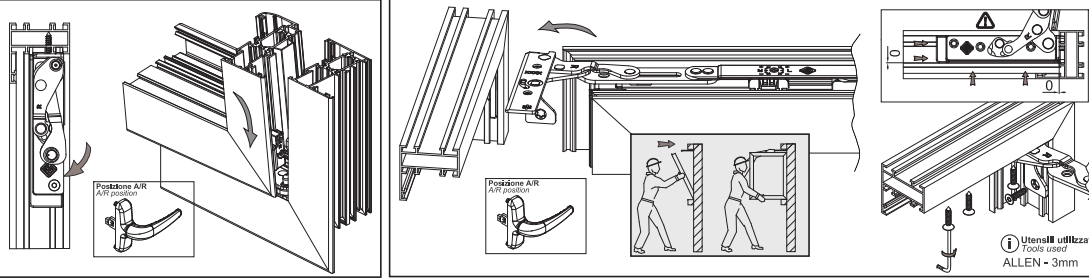
Portate > 120kg Art. 3310.50 Obbligatorio | Weight > 120kg Art. 3310.50 obligatory

TELAIO - FRAME

ANTA - SASH



Indicazioni di montaggio / Assembling



Regolazioni / Adjustments

