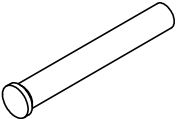
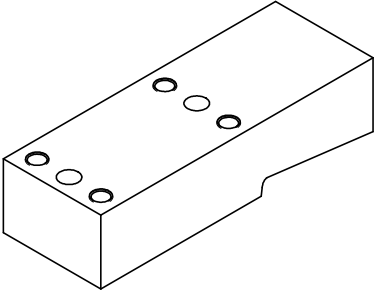
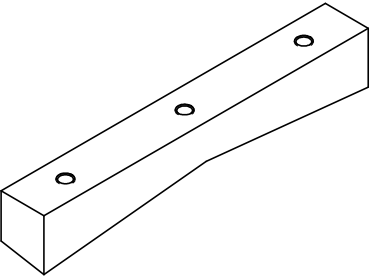
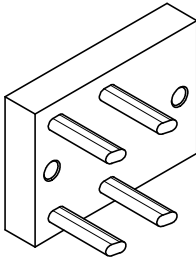
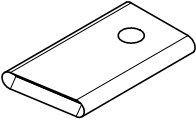
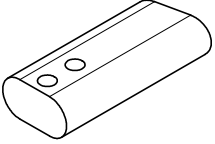
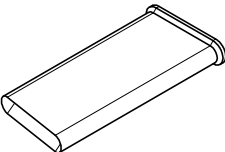
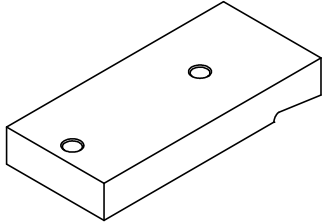


SHOHAM
MACHINERY LTD.

Модель ALUSIT FC50+

Комплект ножей для прессы

<p>Knife : AL50-K01-9</p>  <p>1</p> <p style="writing-mode: vertical-rl; transform: rotate(180deg);">STATION No.1</p>	<p>Knife : AL50-K02-4</p>  <p>2</p> <p style="writing-mode: vertical-rl; transform: rotate(180deg);">STATION No.2</p>	<p>Knife : AL50-K03-5</p>  <p>3</p> <p style="writing-mode: vertical-rl; transform: rotate(180deg);">STATION No.3</p>	<p>Knife+Hoder : AL50-K04-7</p>  <p>4</p> <p style="writing-mode: vertical-rl; transform: rotate(180deg);">STATION No.4</p>
<p>Knife : AL50-K05-5</p>  <p>5</p> <p style="writing-mode: vertical-rl; transform: rotate(180deg);">STATION No.5</p>	<p>Knife : AL50-K06-5</p>  <p>6</p> <p style="writing-mode: vertical-rl; transform: rotate(180deg);">STATION No.6</p>	<p>Knife : AL50-K07-6 - 2 units</p>  <p>7</p> <p style="writing-mode: vertical-rl; transform: rotate(180deg);">STATION No.7</p>	<p>Knife : AL50-K08-4</p>  <p>8</p> <p style="writing-mode: vertical-rl; transform: rotate(180deg);">STATION No.8</p>